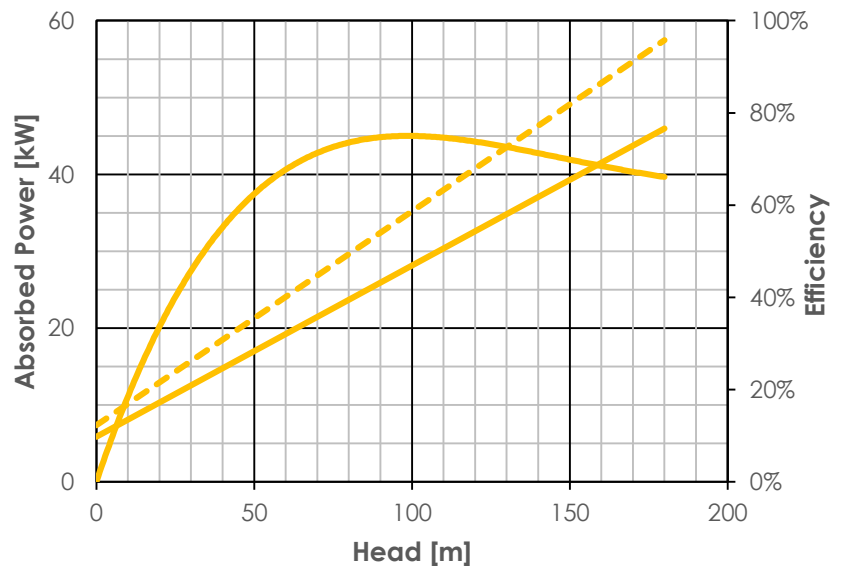
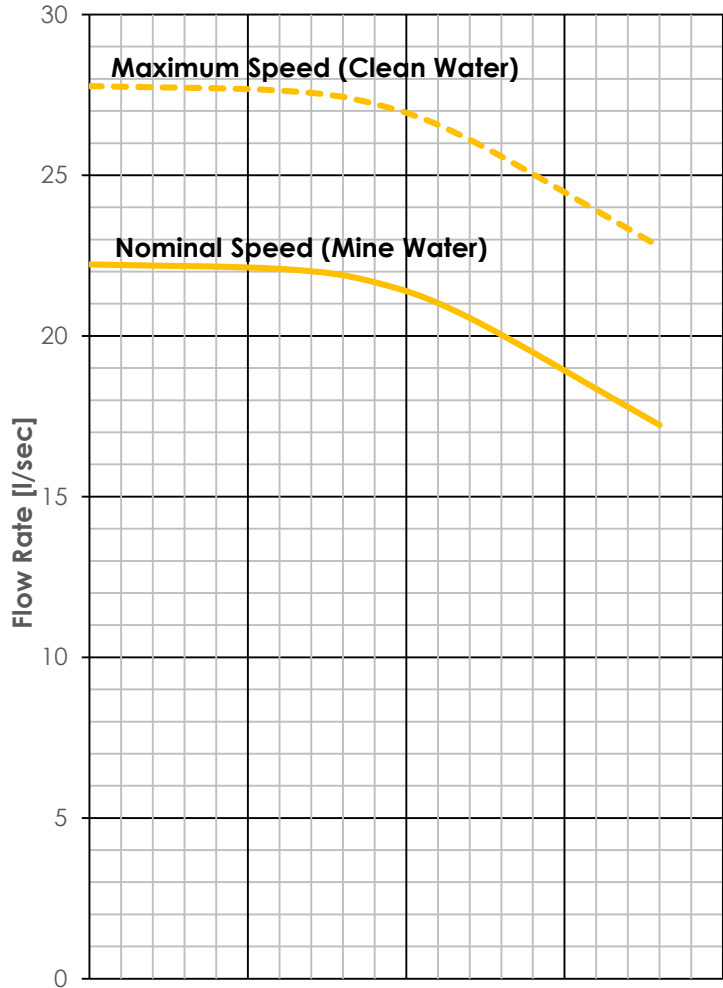


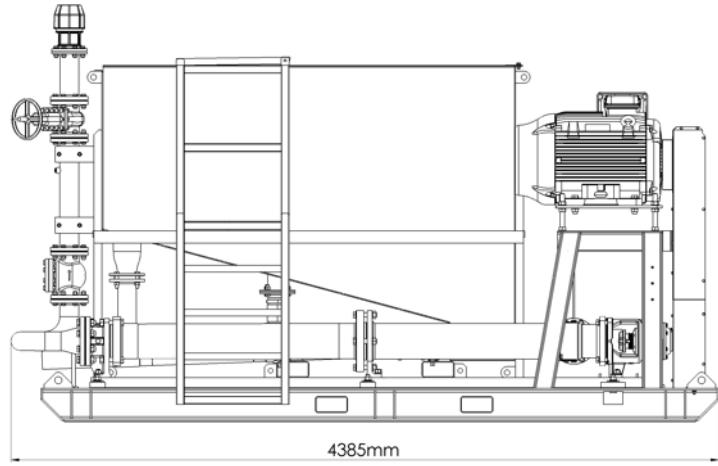
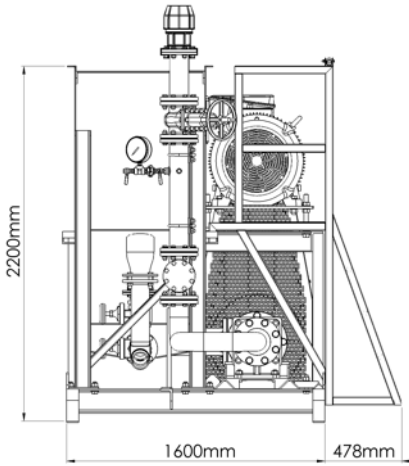
| Nominal Flow | Maximum Head |
|--------------|--------------|
| 20 L/Sec | 180 m |

| Typical Average Performance | |
|-----------------------------|---|
| Rotation | Anticlockwise |
| Maximum Speed | 400 rpm |
| Nominal Speed | 320 rpm |
| Pulley Ratio | 3:1 |
| Motor Size | 55 kW |
| Maximum Pressure Difference | 1800 kPa |
| Starting Torque | 975 Nm |
| Motor Poles | 6 |
| Inlet Flange | DN150 BS4504 PN16 |
| Outlet Flange | DN150 BS4504 PN40 |
| Solids Handling | Hard Angular 20 mm Soft Compressible 62 mm |
| Performance Tolerance | ±10% |

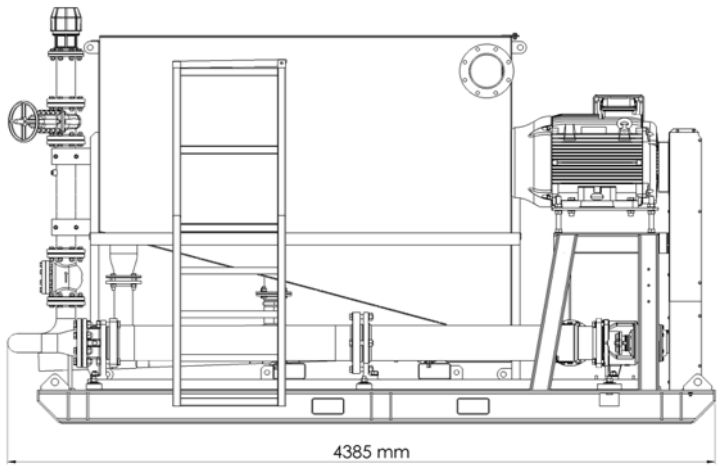
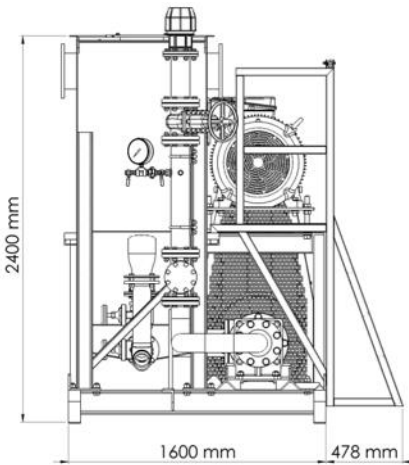
Tested on water at 20°C
For water temperatures greater than 30°C consult
Challenge Pumps



Single, Low Tank X3 Unit (Available in Left or Right Hand Configurations)



Modular Tall Tank X3 Units for Multiple Pump Installations



Back to Back X3 Modular Tanks

